



WELDING ROBOT

ACT10-1440-W

Faster, more accurate and more reliable.
Suitable for all types of CO₂/MAG/MIG/TIG welding and plasma cutting.

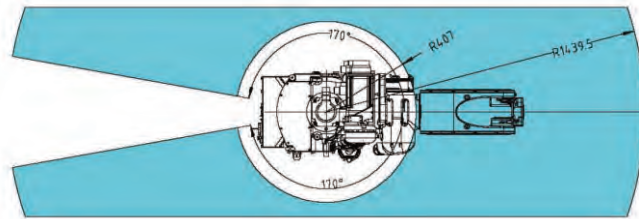
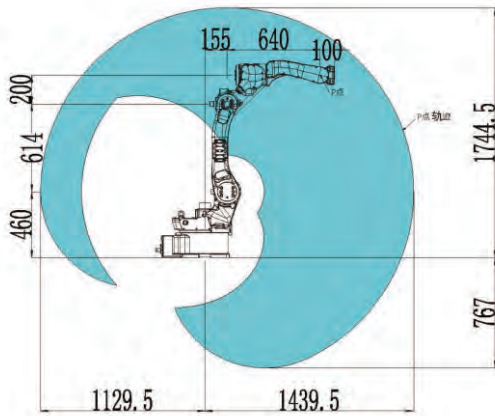
Robot specifications

Basic data	
Model No.	ACT 10-1440-W
Number of axes	6
Maximum payload	10 kg
Maximum stroke	1440mm
IP class	J1, J2 - IP56; J3, J4, J5, J6 - IP67
Mounting position	Floor type, wall type, ceiling type
Approx. weight	176 kg (without cabinet or welding machine)
Repeatability	±0.05 mm
Internal air duct	Φ10
Welding machines	<ul style="list-style-type: none"> ·ACT NBC-350RL (CO₂/MAG/MIG, standard) ·ACT NBC-350/500RP (CO₂/MAG/MIG, optional) ·ACT MIG-350/500/630RP (CO₂/MAG/MIG, optional) ·ACT WSM-400R/WSME-315R (TIG, optional)
Motion range	
J1 axis S	±160°
J2 axis L	+80°~-145°
J3 axis U	+145°~-75°
J4 axis R	±190°
J5 axis B	+50°~-210°
J6 axis T	±220°
Speed with rated payload	
J1 axis S	209°/s
J2 axis L	199°/s
J3 axis U	209°/s
J4 axis R	314°/s
J5 axis B	272°/s
J6 axis T	1353°/s

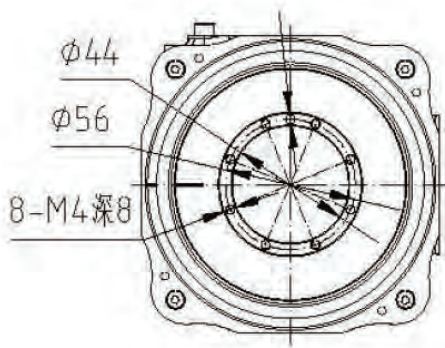
Electrical cabinet specifications	
Dimensions	650*495*580mm
Approx. weight	60KG
Cooling method	Natural cooling
Input power	220VAC 50/60Hz
Grounding	Industrial grounding (grounding resistance below 100Ω)
I/O terminals	<ul style="list-style-type: none"> ·16 digital inputs ·16 digital outputs ·2 analog outputs (optional)
Position control mode	EtherCAT, TCP/IP
Serial port I/F	RS485*1, RS422*1, RS232*1, CAN*1, USB*1
RAM capacity	JOB 200,000 steps, 10,000 robot commands (200MB)
Driving unit	6-axis AC servo system. External axis can be added as an option.

Operating conditions	
Use temperature	0~45°C
Storage temperature	-20~60°C
Humidity	10~90% RH, no condensing
Vibrations	Below 0.5G
Altitude	Below 1000m. (Degrade if over 1000m, max 2000m)
Other requirements	<ul style="list-style-type: none"> ·With no corrosive or combustible gas ·With no water, oil or drug splashing ·With no electromagnetic field nearby ·With no radiations nearby

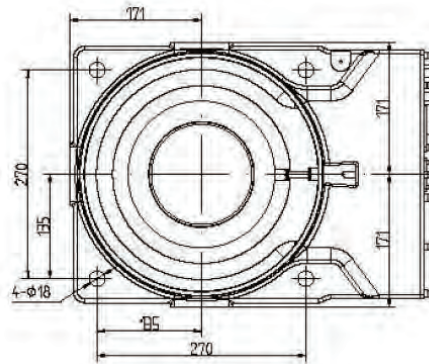
► Working envelope (unit: mm)



► Flange and base dimensions (unit: mm)

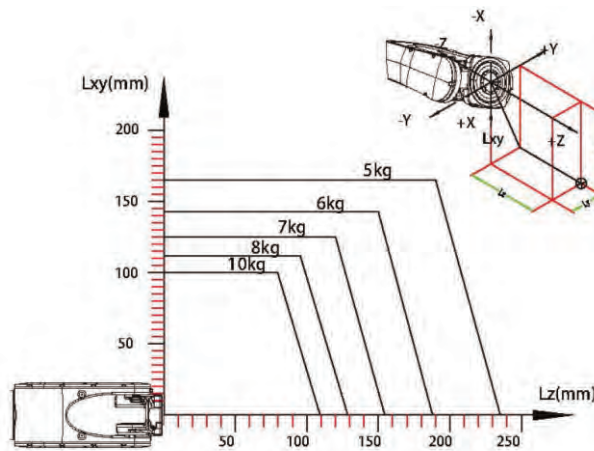


Flange



Base

► Payload diagram



All data, drawings and specifications provided in this catalog are purely for information purposes and do not constitute a guarantee of these characteristics. The extent of goods delivered and services performed is determined by the subject matter of the specific contract. No liability accepted for errors or omissions.